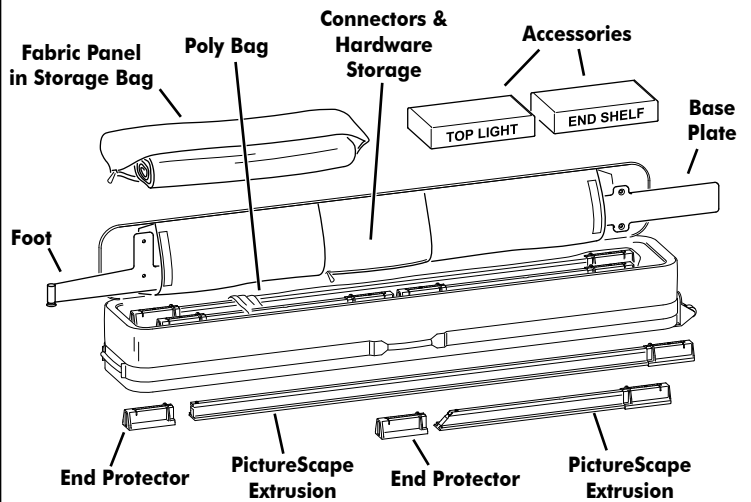


Table of Contents

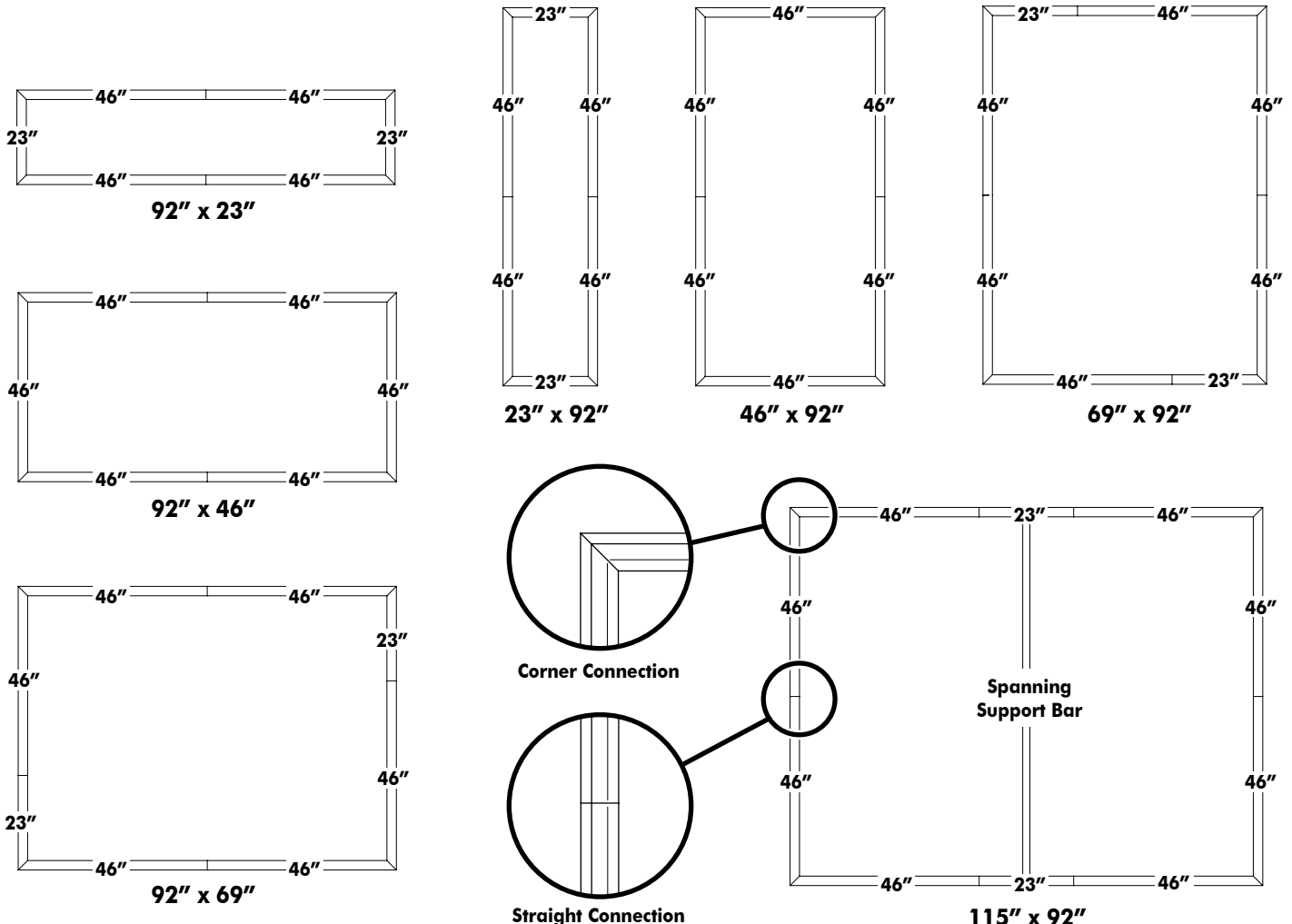
Component Identification	2
Assembly	2
Primary Components	
90° Connector	3
Straight Connector	3
End Foot	3
Base Plate	3
Variable Angle Connector	3
Hanging Hardware Kit	3
Spanning Support Bar	3
Fabric Panel	4
Accessories	
End Shelf	4
L-Bracket	4
Top Lights	4
Literature Pocket	4
Wire Management Clip	4
Wall/Exhibit Mounting Bracket	
Wall Mounting	5
Exhibit Mounting	5

Packing & Unpacking

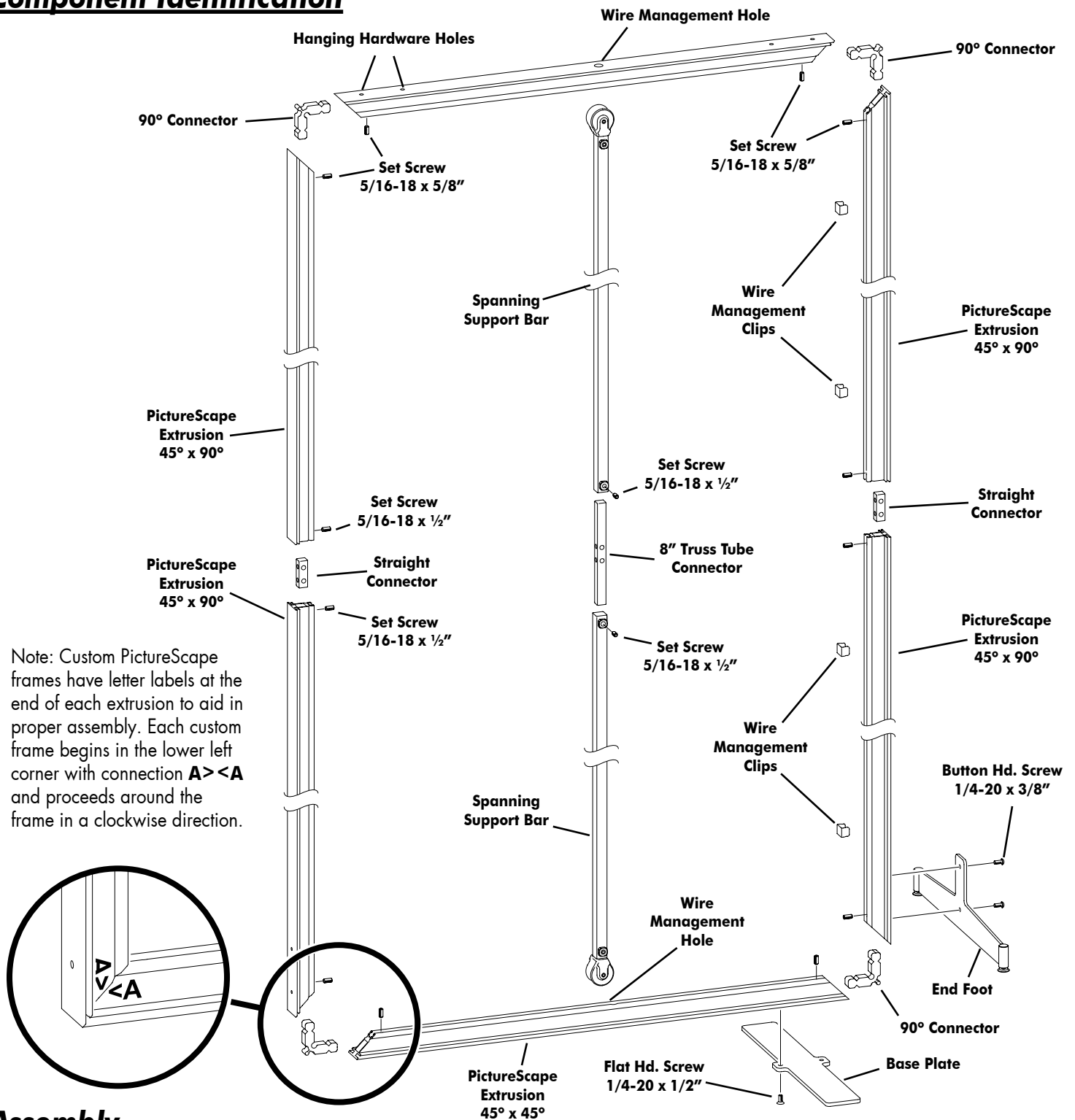


Caution: Always install end protectors on each end of each extrusion when repacking or damage to carrying case may result.

Standard Kits



Component Identification

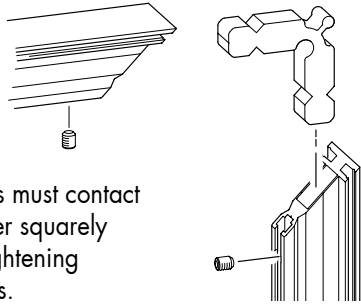


Note: Custom PictureScape frames have letter labels at the end of each extrusion to aid in proper assembly. Each custom frame begins in the lower left corner with connection **A><A** and proceeds around the frame in a clockwise direction.

Assembly

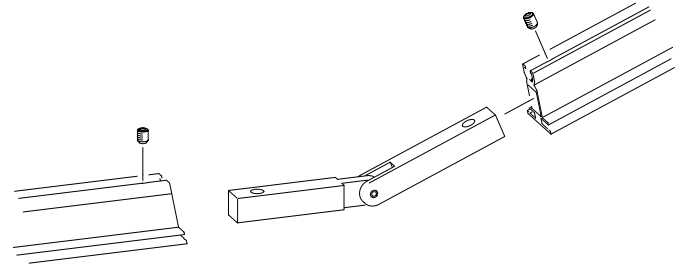
1. Identify unique components such as side extrusions with holes for mounting end feet, upper and lower extrusions with holes for hanging kit hardware or base plates, etc. Layout entire assembly on floor covered with clean drop cloth provided.
2. Assemble entire frame (including Spanning Support Bar) flat on floor.
3. Install Top Light wires and Wire Management Clips.
4. Install Fabric Panel(s).
5. Install End Feet, Base Plates, or Wall/Exhibit Mounting Bracket.
6. Install Top Light and Accessories.

90° Connector



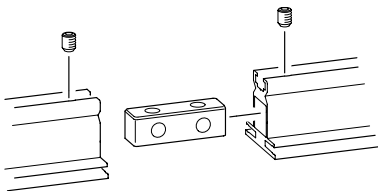
Extrusions must contact each other squarely before tightening set screws.

Variable Angle Connector



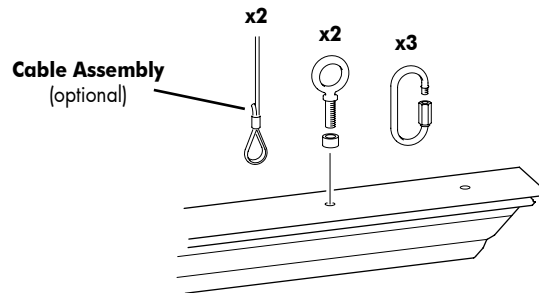
Extrusions must contact each other squarely before tightening set screws.

Straight Connector

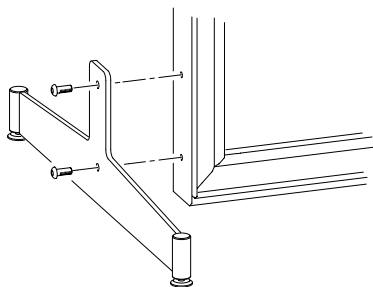


Extrusions must contact each other squarely before tightening set screws.

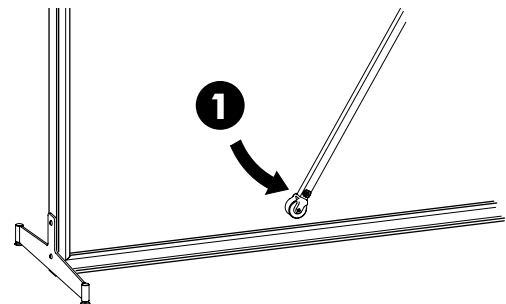
Hanging Hardware Kit



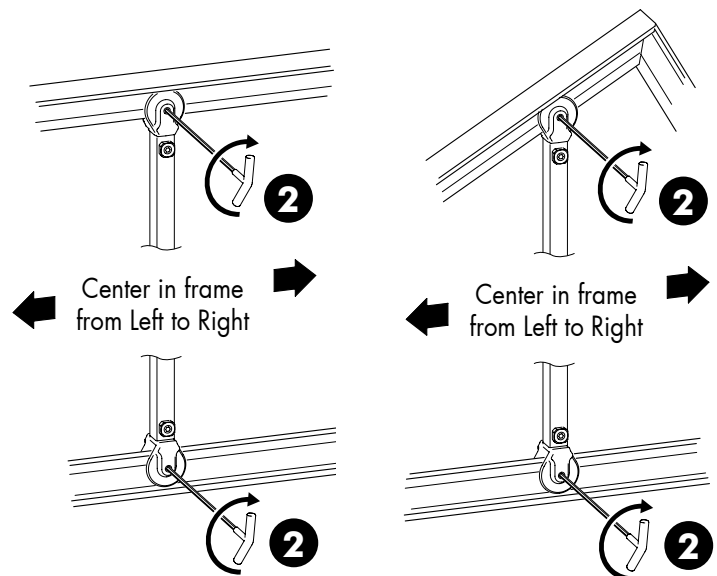
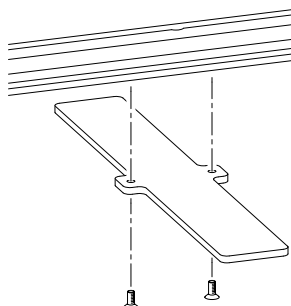
End Foot



Spanning Support Bar



Base Plate

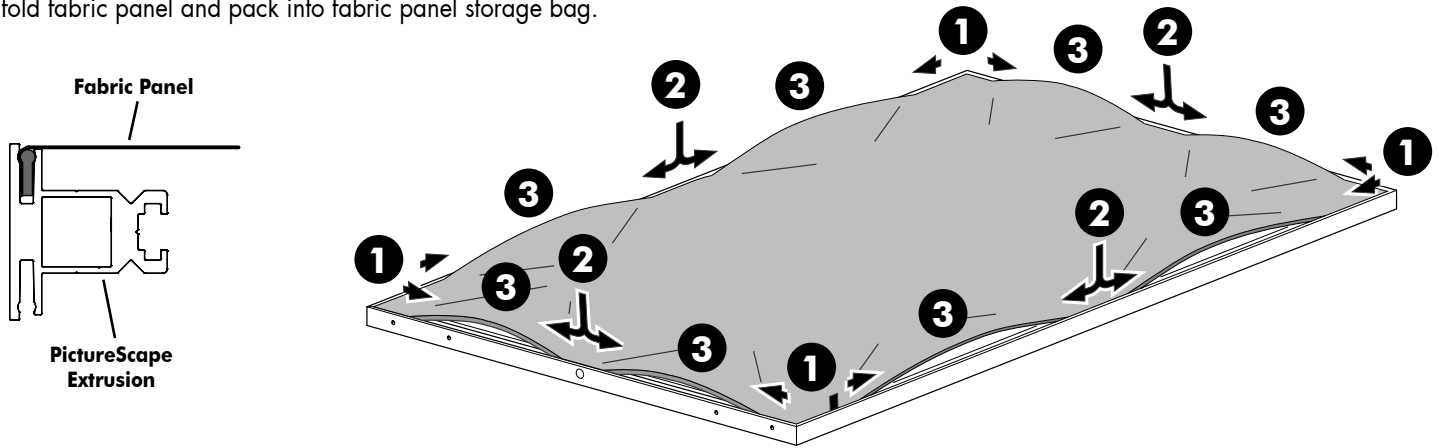


Squares & Rectangles

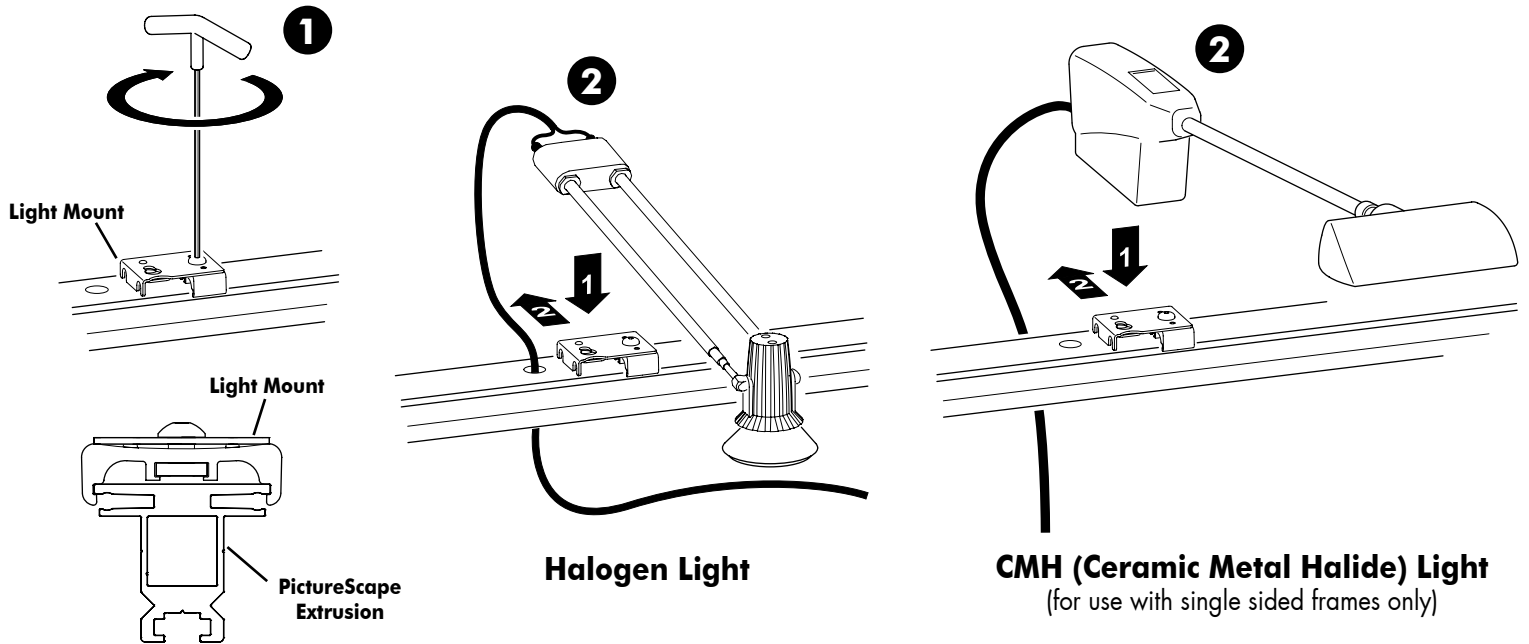
Custom Shapes

Fabric Panel

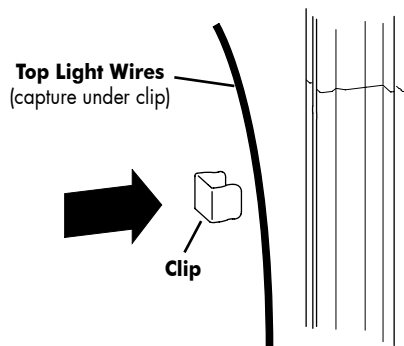
1. Start at the corners of the assembly. Work the FlexLock® edge of the panel into the extrusion at each corner.
2. Press the FlexLock® edge of the panel into the extrusion near the middle of each extrusion.
3. Work the panel into the extrusion from the corners inward and the middle outward.
4. To Dismantle, lay frame assembly on floor covered with clean drop cloth provided. To help reduce wrinkling, carefully fold fabric panel and pack into fabric panel storage bag.



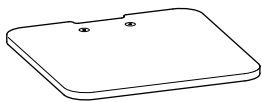
Top Lights



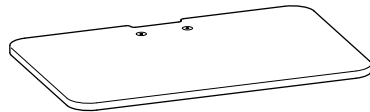
Wire Management Clip



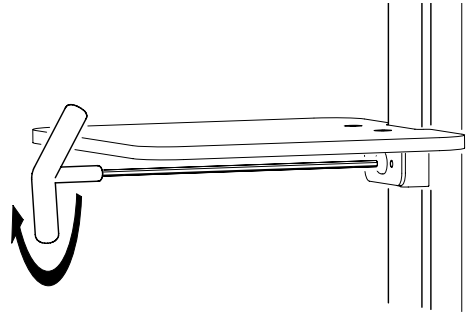
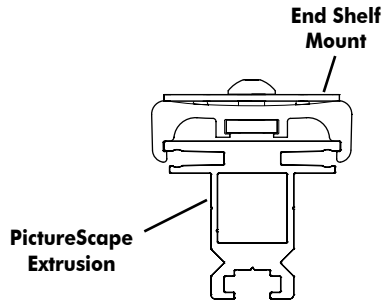
End Shelf



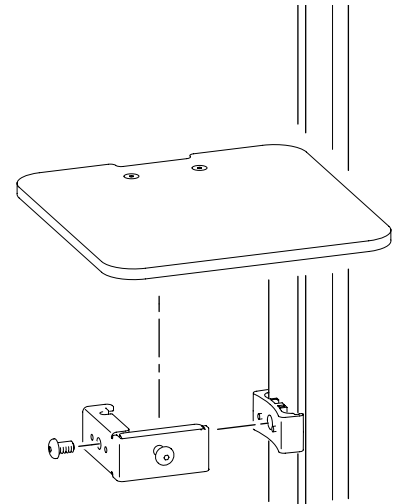
Square End Shelf



Rectangular End Shelf

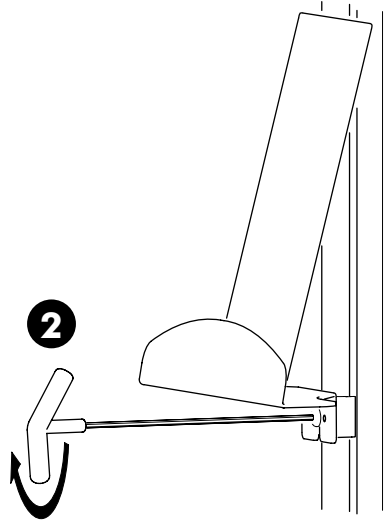
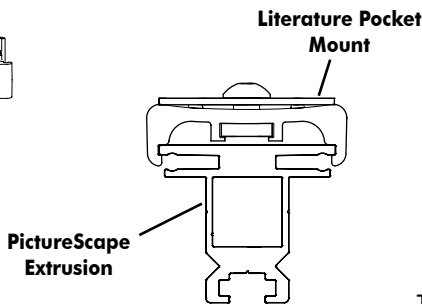
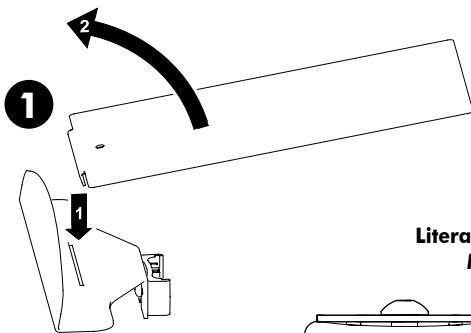


To Install facing end of PictureScape frame:

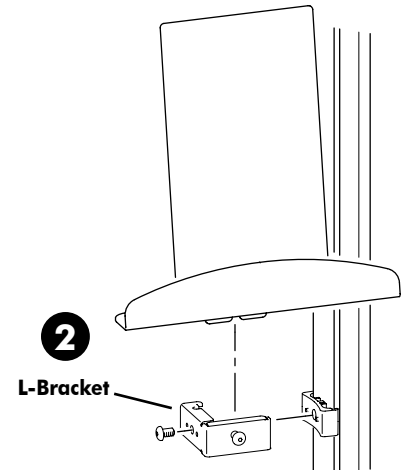


To Install facing front of PictureScape frame:

Literature Pocket



To Install facing end of PictureScape frame:



To Install facing front of PictureScape frame:

Wall/Exhibit Mounting Bracket

Wall Mounting

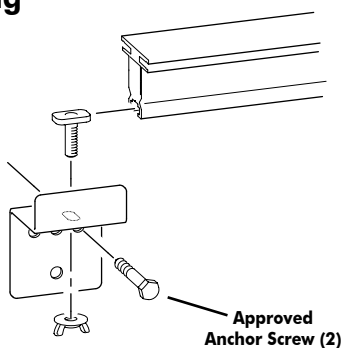
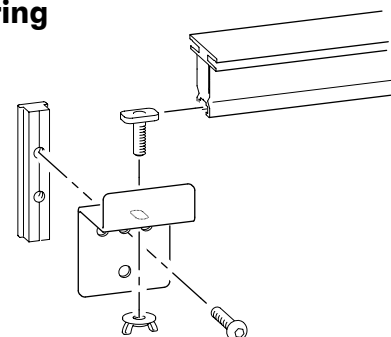


Exhibit Mounting



Compatible Exhibits:

- **Slotted Tube**
- **Tube Ultra** (square or round)
- **Engage**