

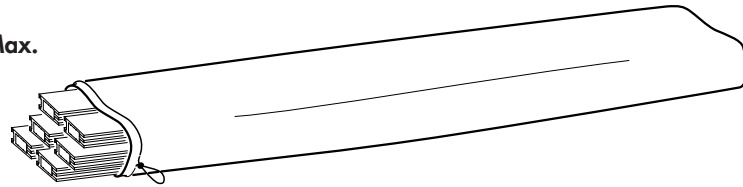
Table of Contents

Standard Kits	2-3
Assembly	4
Primary Components	
Corner Connector	5
Straight Connector	5
Top Light Bracket.....	5
Hang/Foot Assembly.....	5
Center Foot	6
Vertical Brace Assembly.....	6

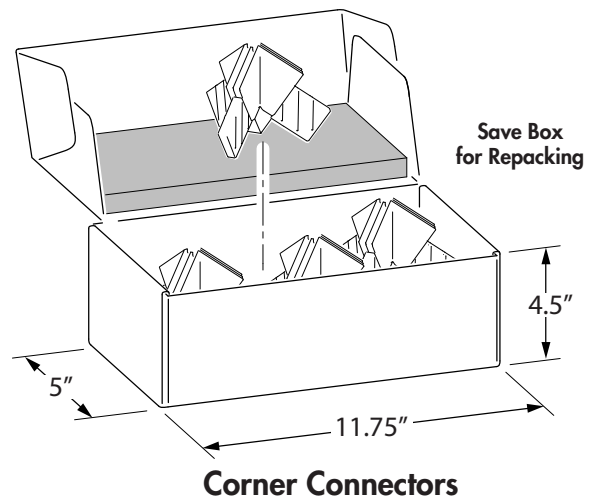
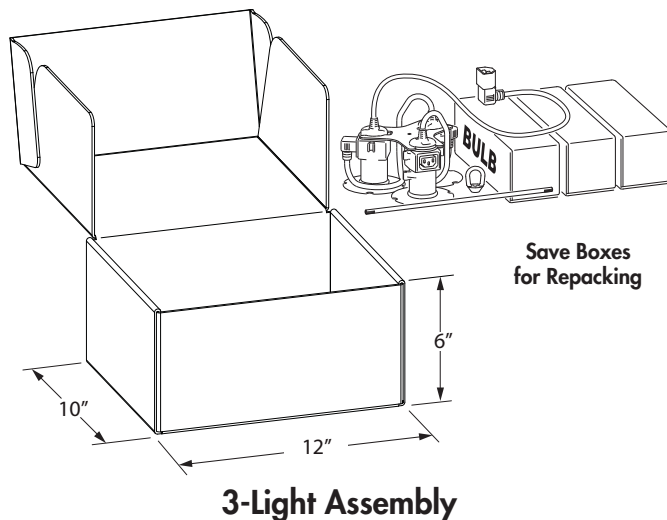
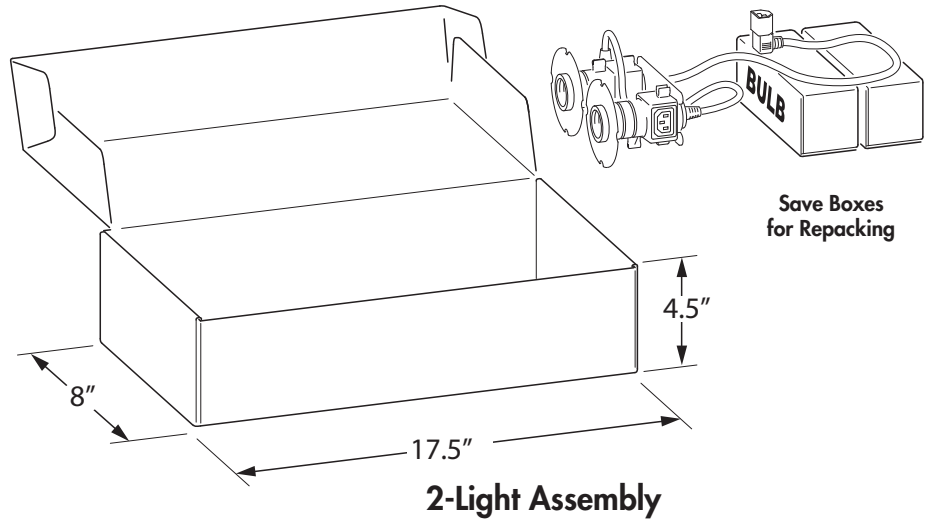
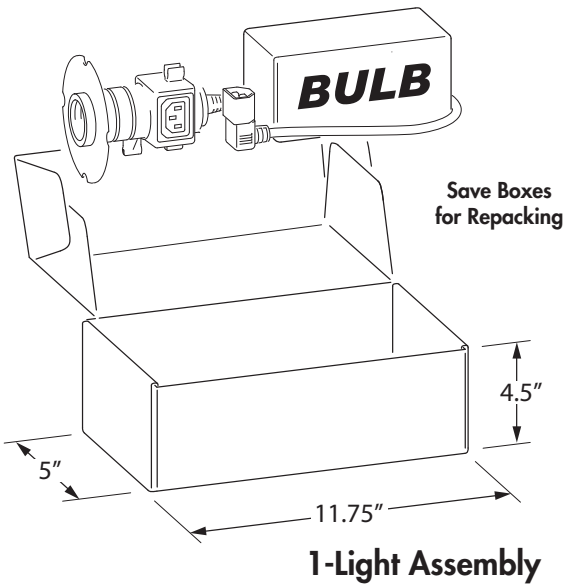
Cross Brace Assembly	7
Fabric Panel	7
Hang Corner	8
Anti-Rotation Connector	8
Internal Lighting	
Configurations for Standard Kits	9
1-Light Assemblies for Rectangles & Cubes	10
2-Light & 3-Light Assemblies for Rectangles & Cubes..	11
2-Light & 3-Light Assemblies Diamonds.....	12

Packing & Unpacking

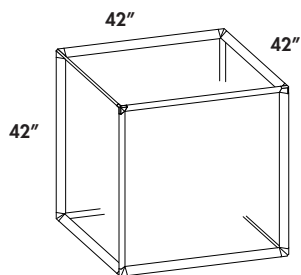
Six 46" Extrusions Max.



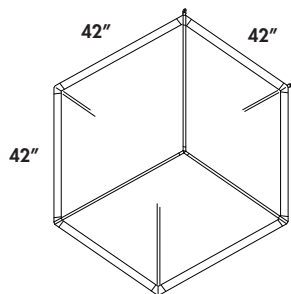
PictureCube Extrusions



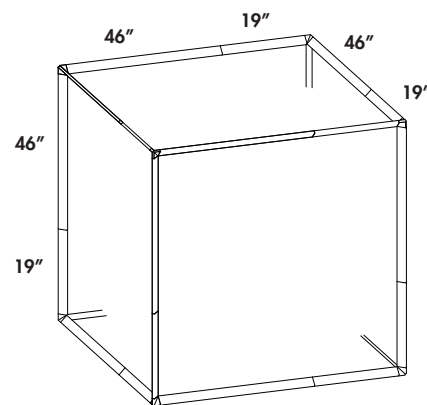
Standard Kits



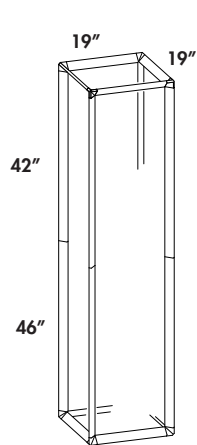
46" x 46" x 46" CUBE



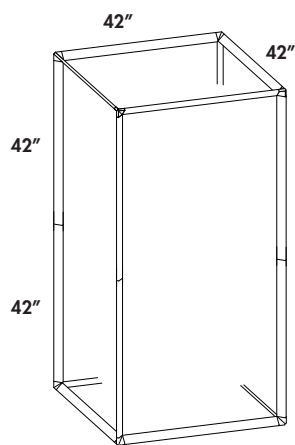
46" x 46" x 46" DIAMOND



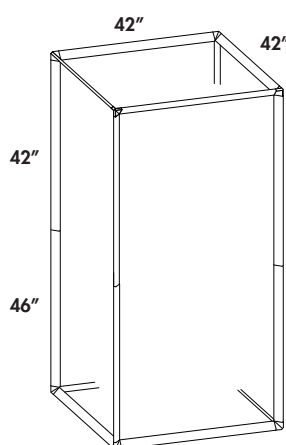
69" x 69" x 69" CUBE



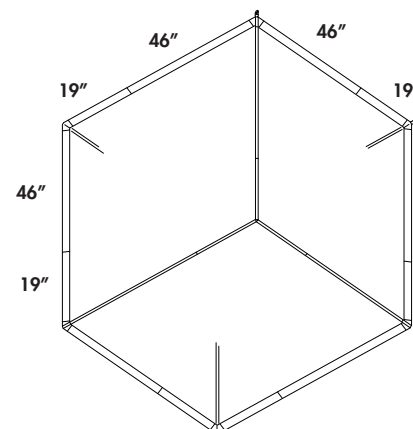
23" x 23" x 92"



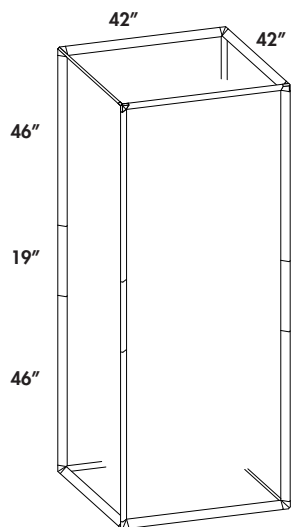
46" x 46" x 88"



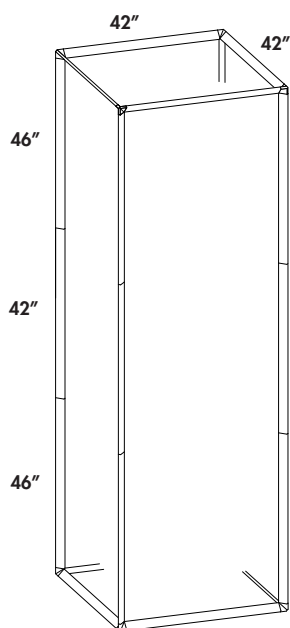
46" x 46" x 92"



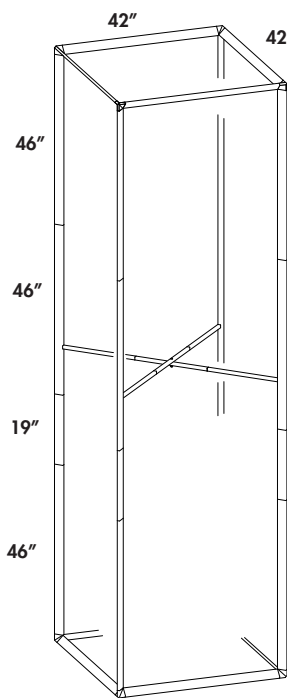
69" x 69" x 69" DIAMOND



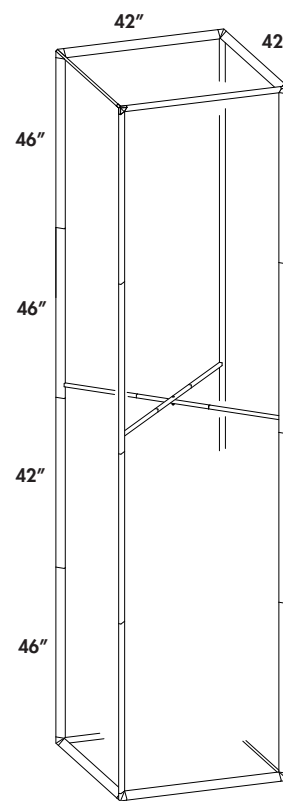
46" x 46" x 115"



46" x 46" x 138"

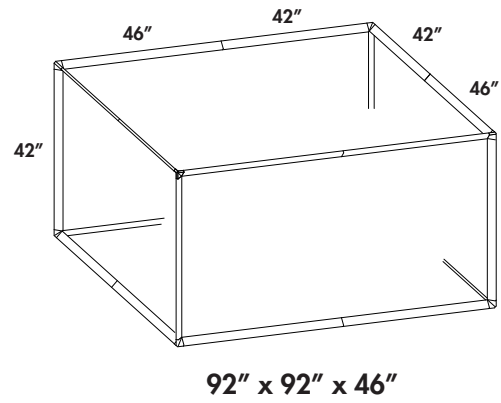
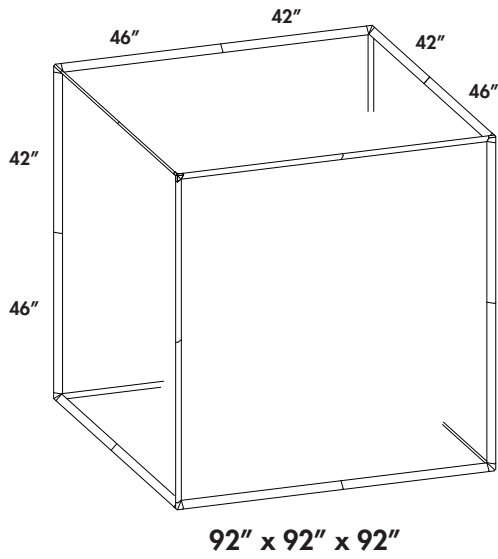
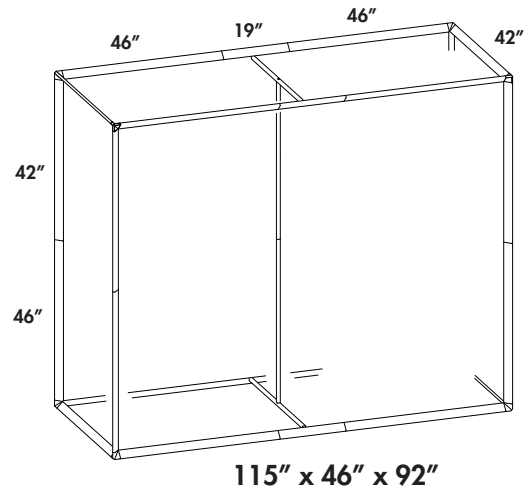
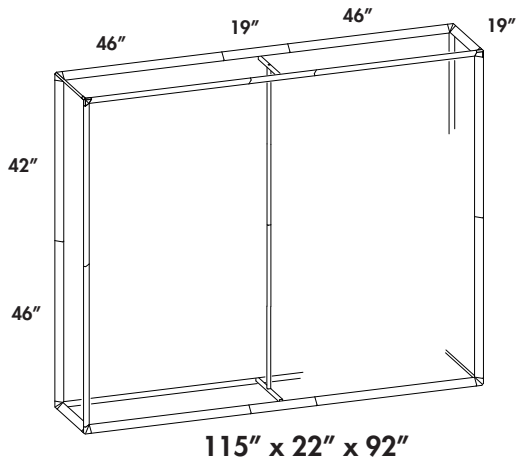


46" x 46" x 161"

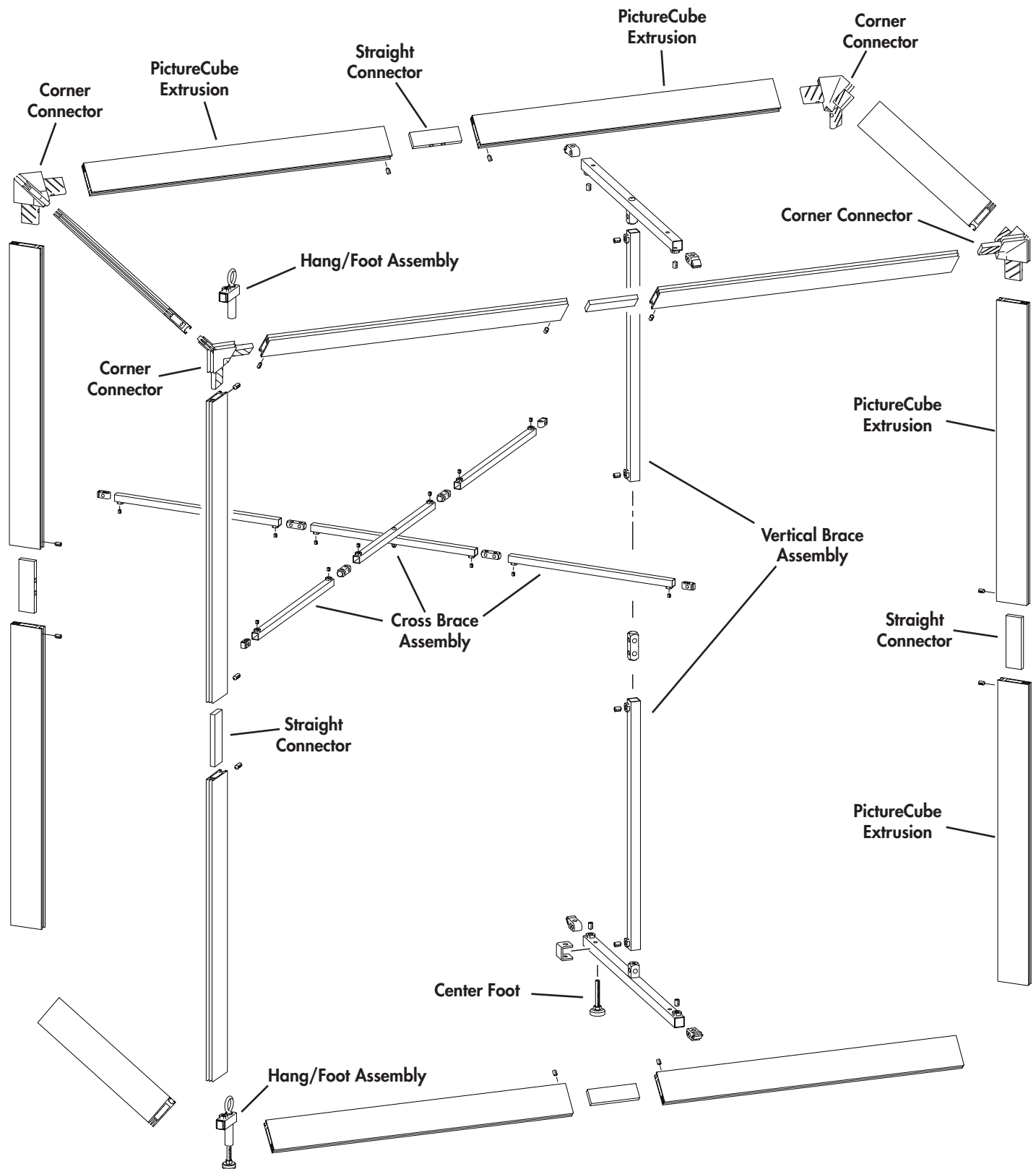


46" x 46" x 184"

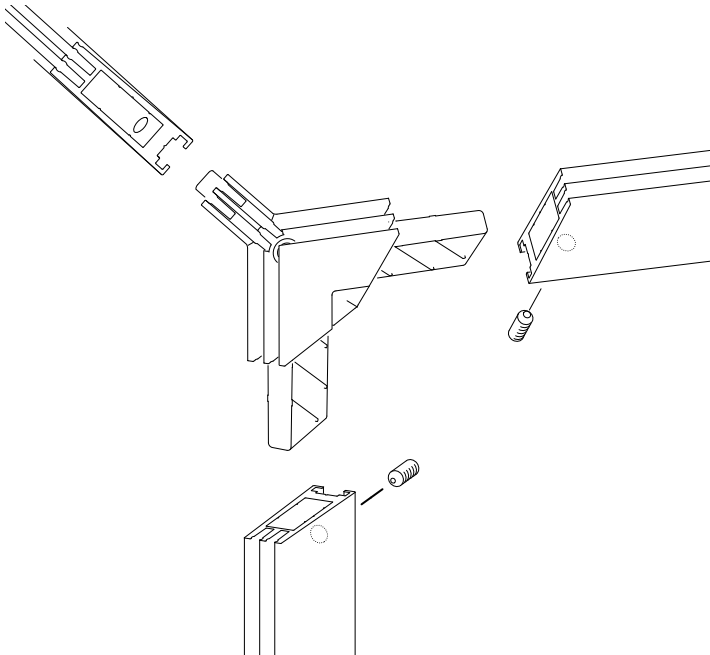
Standard Kits (continued)



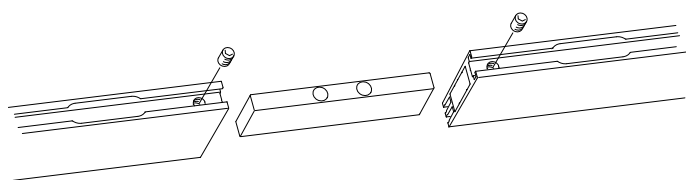
Assembly



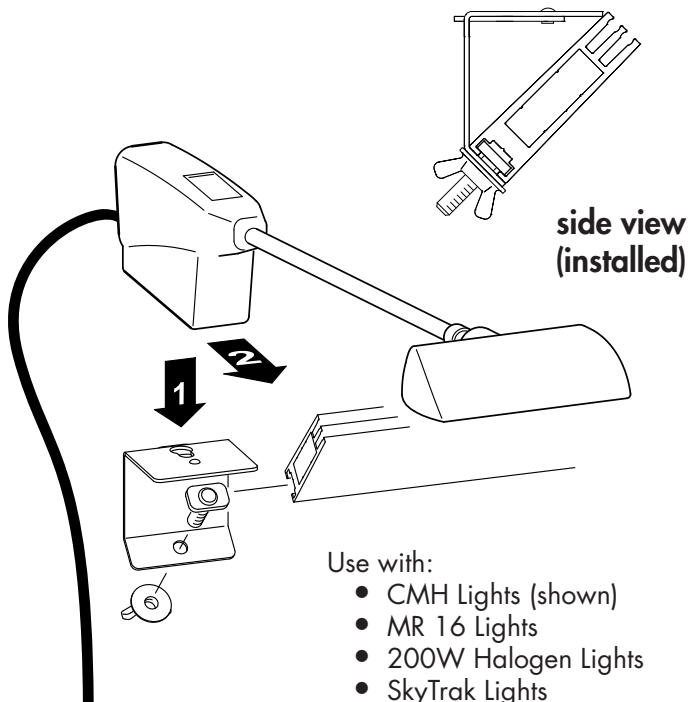
Corner Connector



Straight Connector



Top Light Bracket

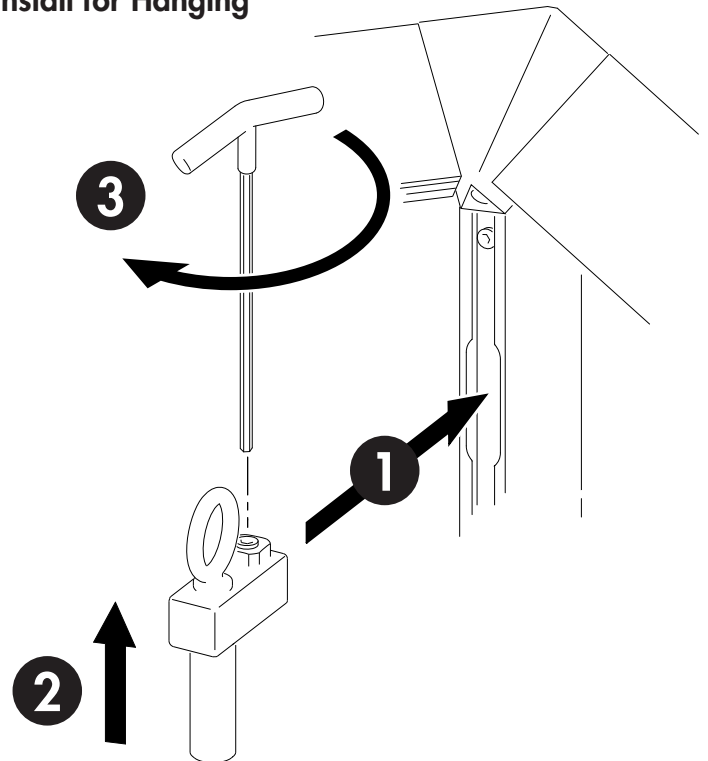


- Use with:
- CMH Lights (shown)
 - MR 16 Lights
 - 200W Halogen Lights
 - SkyTrak Lights

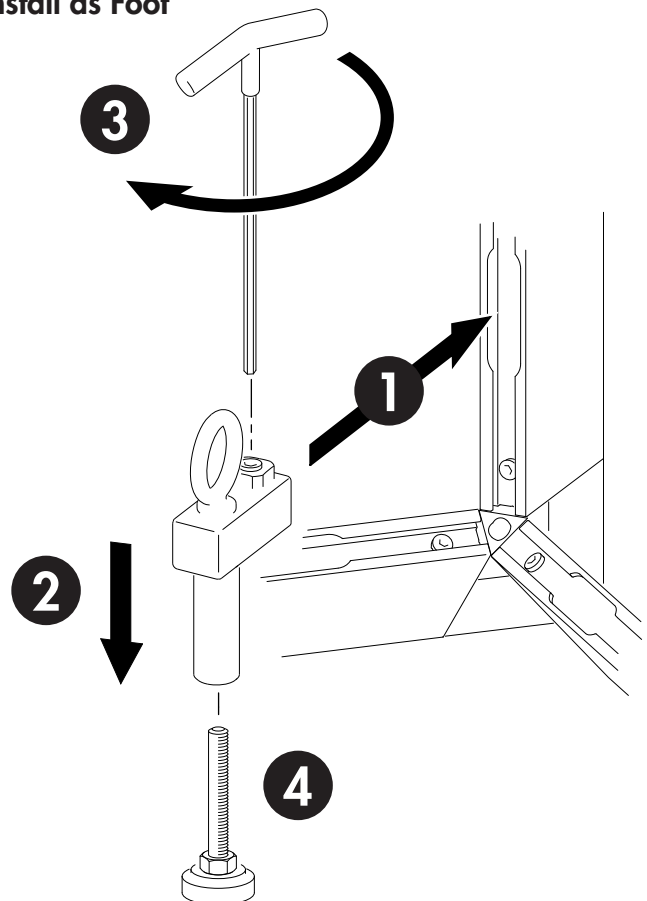
Hang/Foot Assembly

For Cube & Rectangle Kits Only.

Install for Hanging

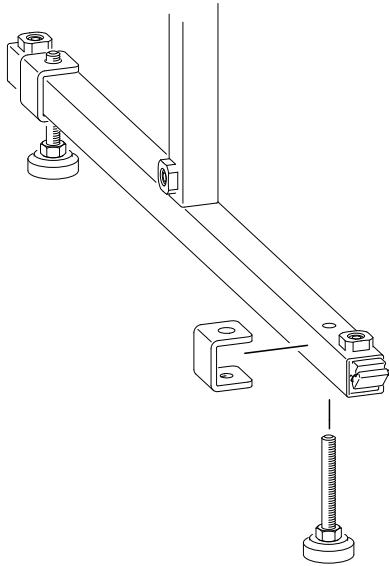


Install as Foot



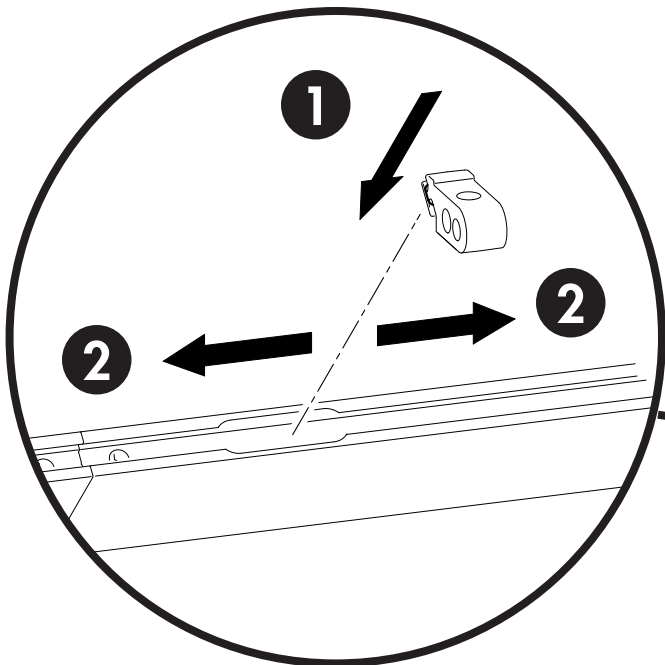
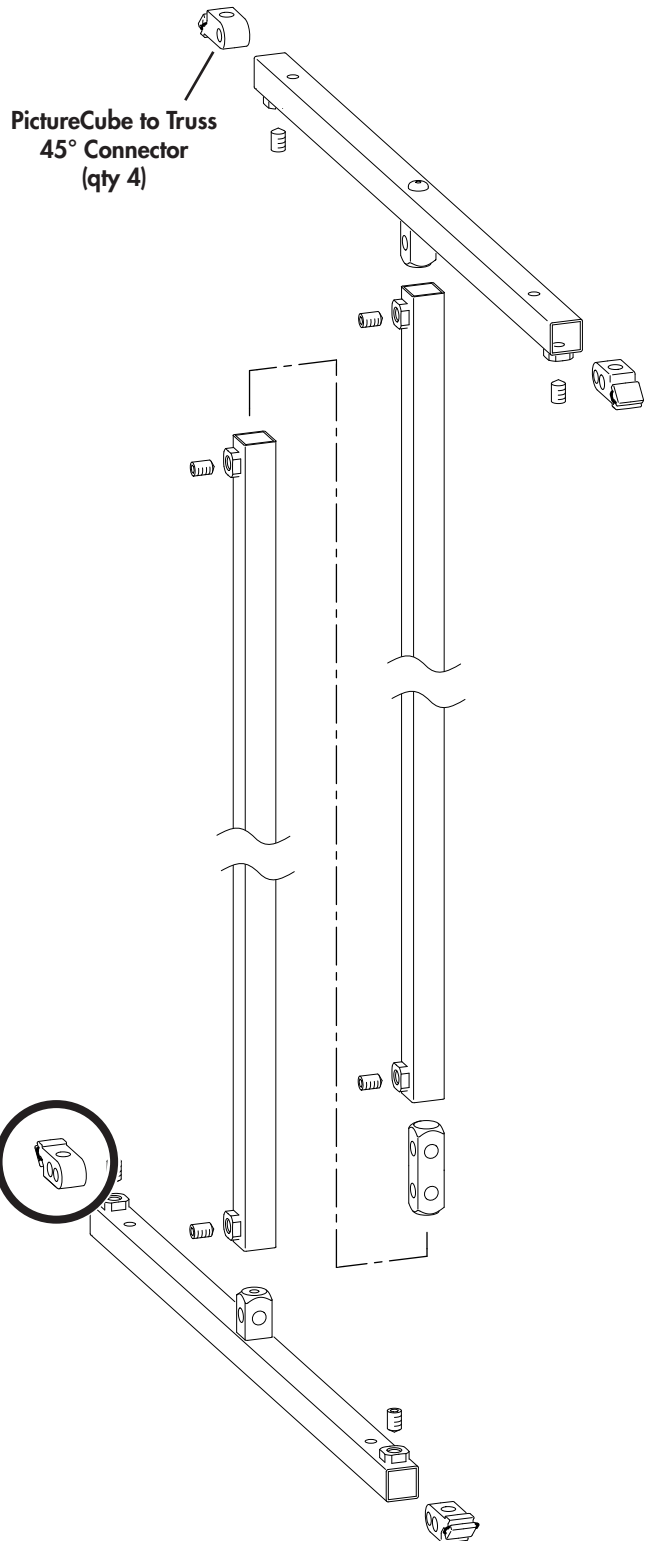
Center Foot

Supplied with 115" x 23" x 92" and 115" x 46" x 92" Kits Only.



Vertical Brace Assembly

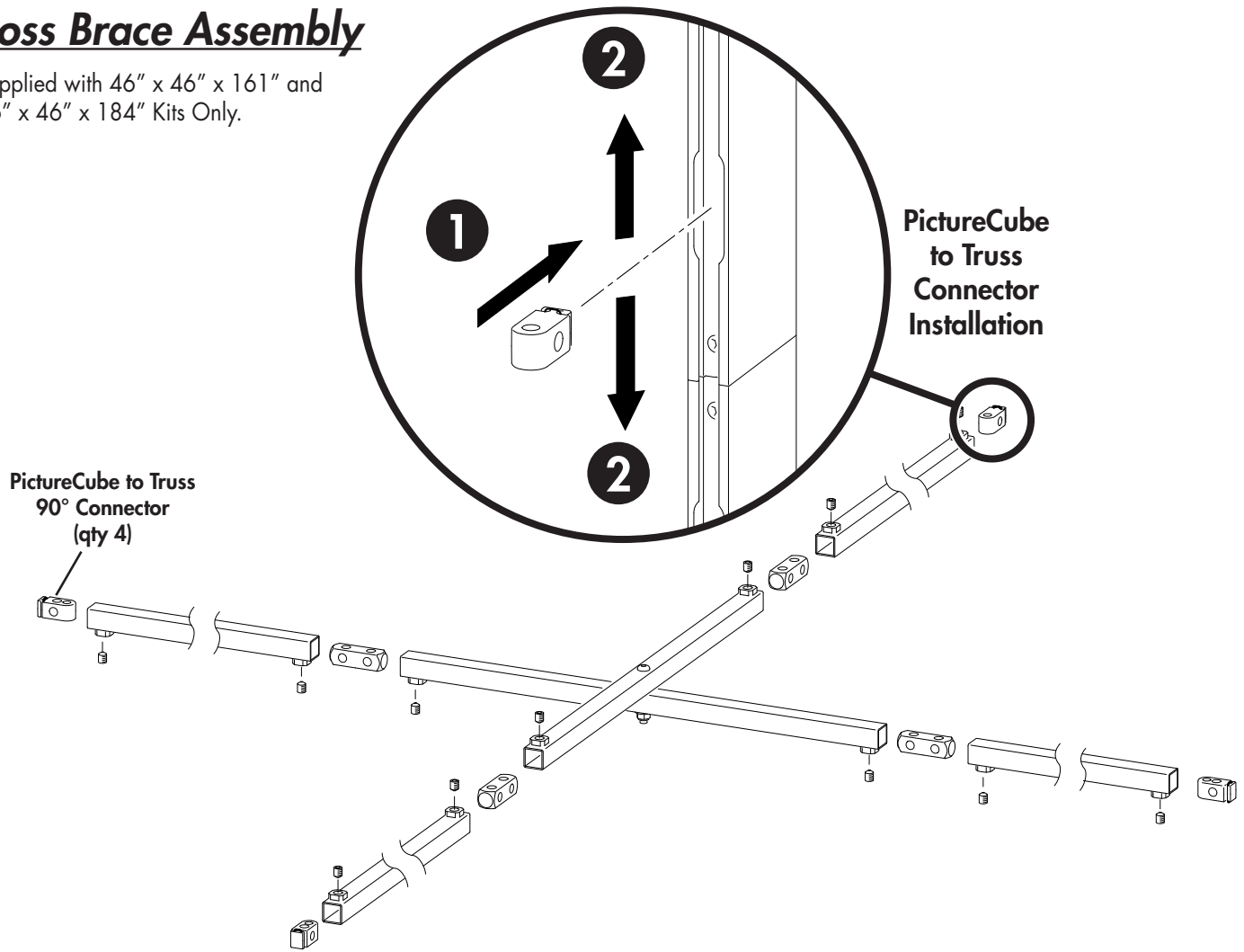
Supplied with 115" x 23" x 92" and 115" x 46" x 92" Kits Only.



PictureCube to Truss Connector Installation

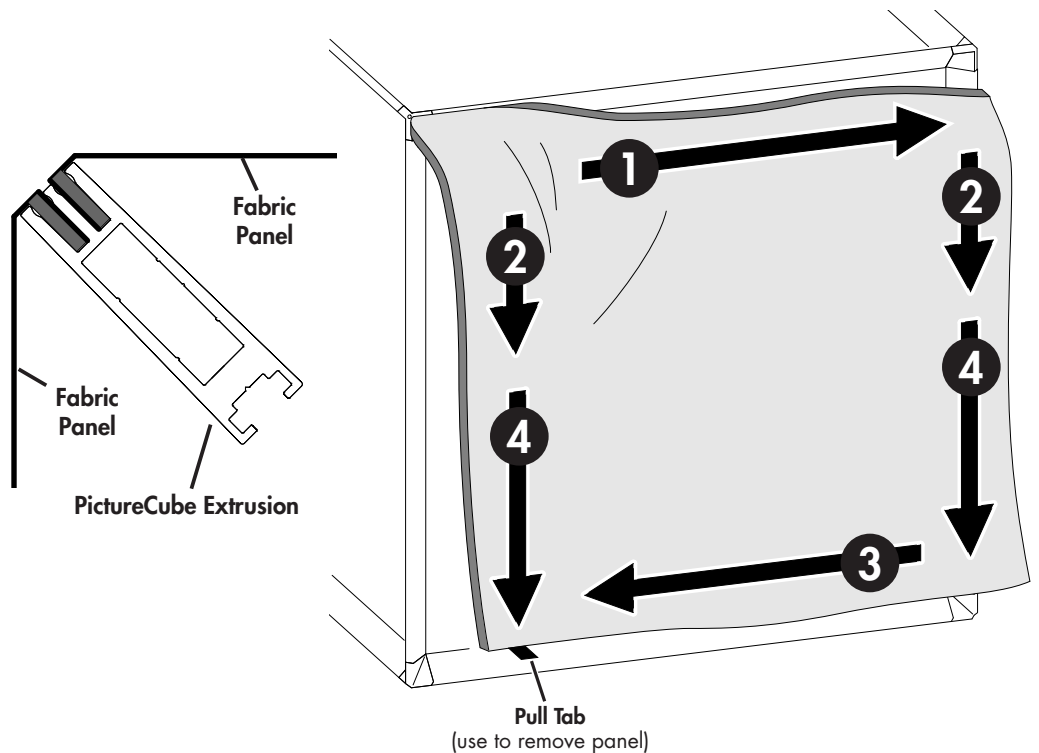
Cross Brace Assembly

Supplied with 46" x 46" x 161" and 46" x 46" x 184" Kits Only.



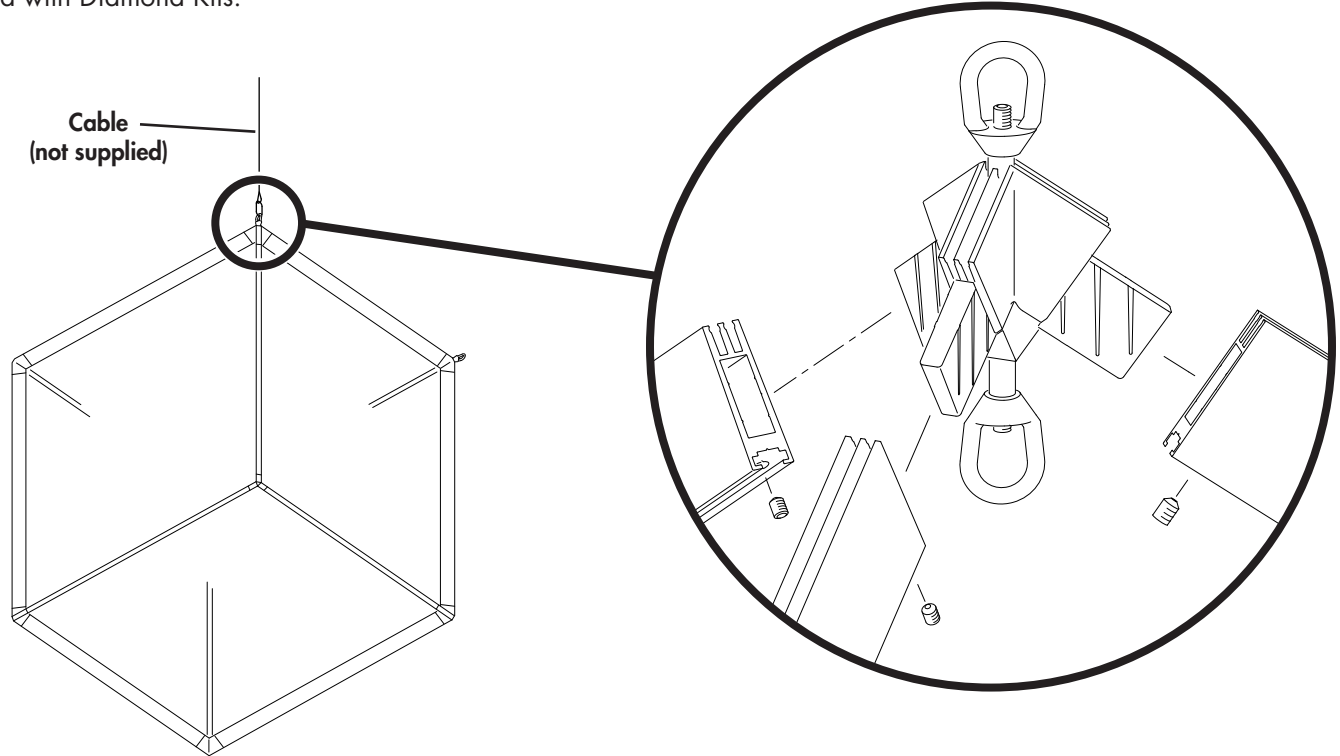
Fabric Panel

1. Start at the upper corner of the assembly by pressing the edge of the panel into the extrusion. Work the panel edge into the entire length of the upper extrusion.
2. Work the panel edge into each of the side extrusions about 1/3 the way down.
3. Work the panel edge into the entire length of the lower extrusion.
4. Work the panel edge into each of the side extrusions about the rest of the way down.
5. Repeat for each side of the PictureCube.



Hang Corner Connector

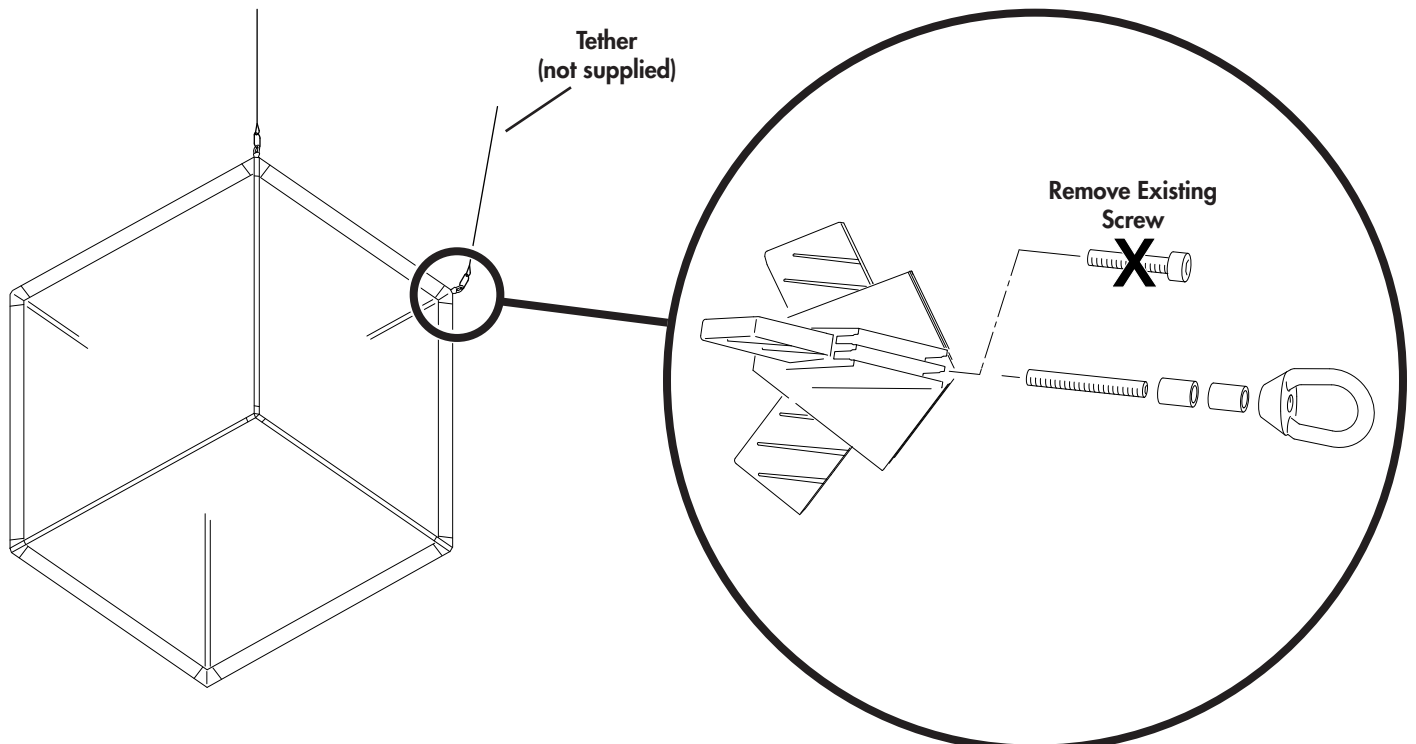
Supplied with Diamond Kits.



Anti-Rotation Connector

Supplied with Diamond Kits.

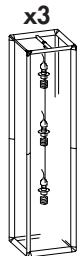
**WARNING: DO NOT hang PictureCube assemblies from Anti-Rotation Connectors.
Use Only Hang Plates and Hang Corner Connectors to hang Picture Cube Assemblies.**



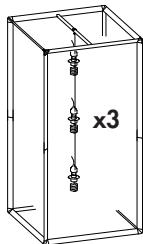
Internal Lighting

1-Light Assemblies

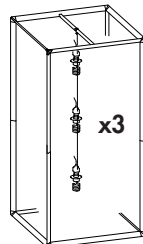
Multiple single bulb internal light assemblies may be strung together as shown.



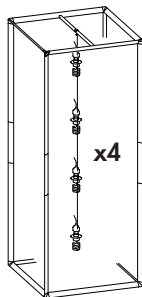
23" x 23" x 92"



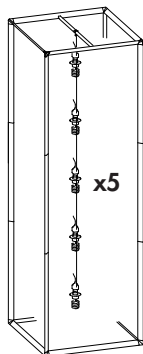
46" x 46" x 88"



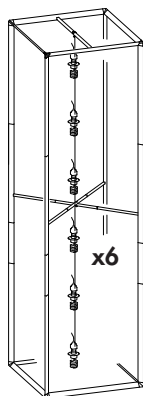
46" x 46" x 92"



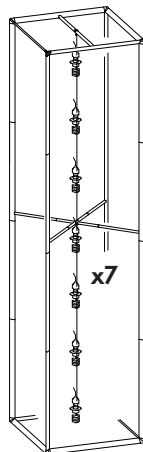
46" x 46" x 115"



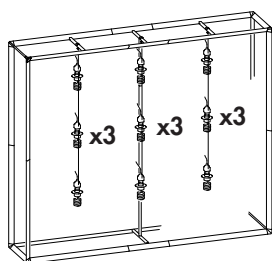
46" x 46" x 138"



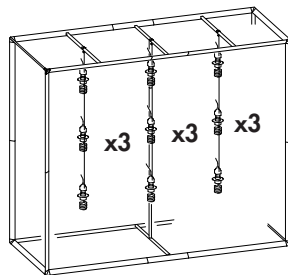
46" x 46" x 161"



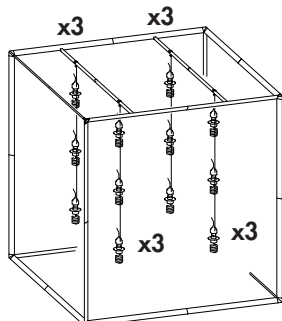
46" x 46" x 184"



115" x 23" x 92"

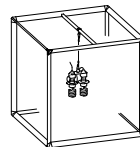


115" x 46" x 92"

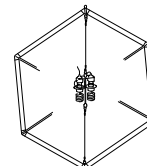


92" x 92" x 92" Cube

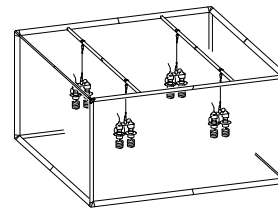
2-Light Assemblies



46" x 46" x 46" Cube

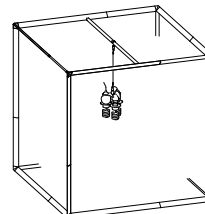


46" x 46" x 46" Diamond

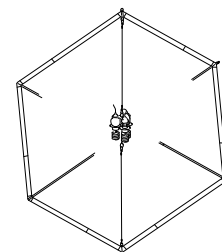


92" x 92" x 46"

3-Light Assemblies

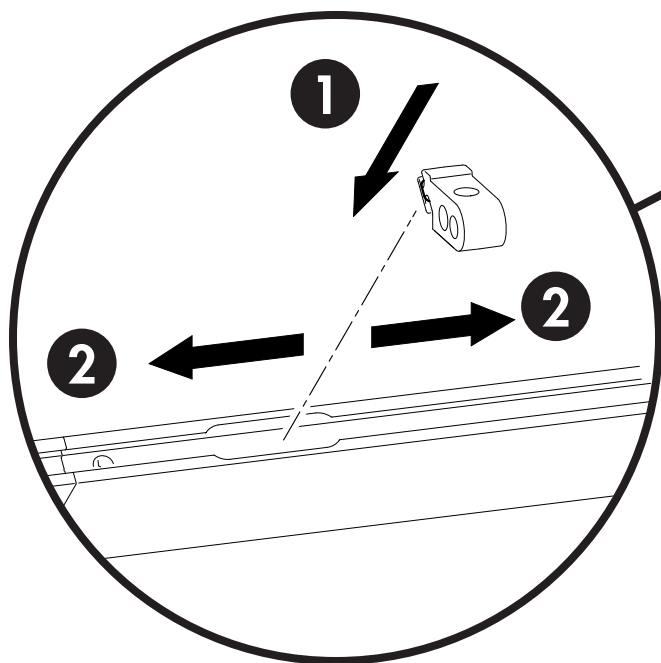


69" x 69" x 69" Cube

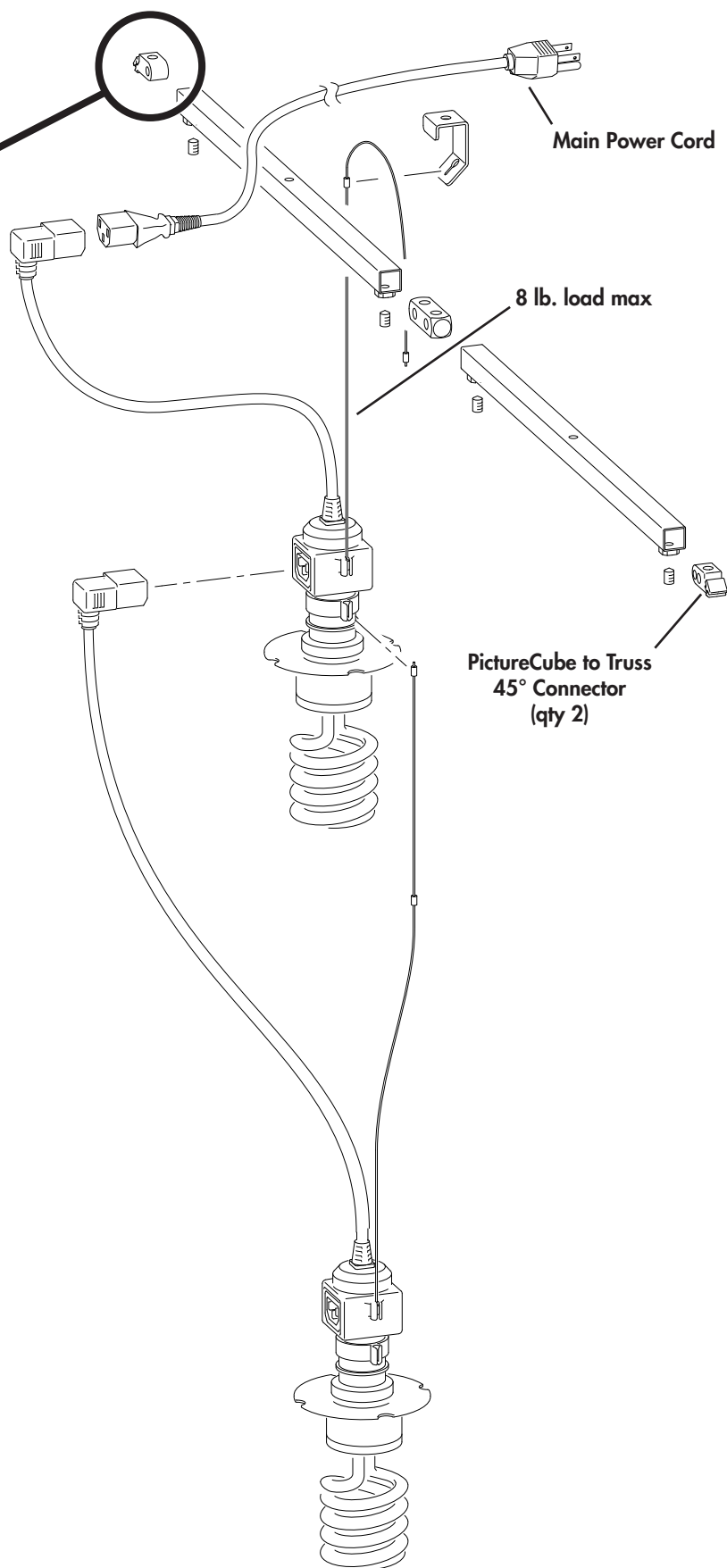


69" x 69" x 69" Diamond

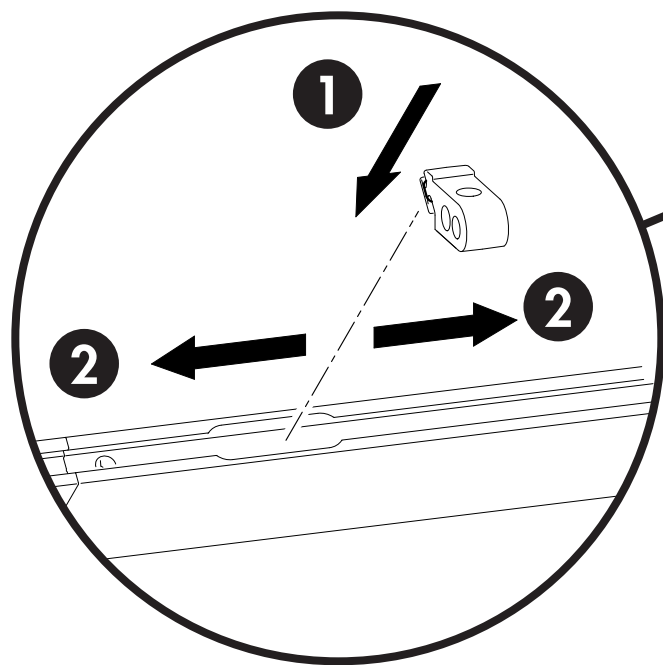
Internal Lighting - 1-Light Assemblies for Rectangles & Cubes



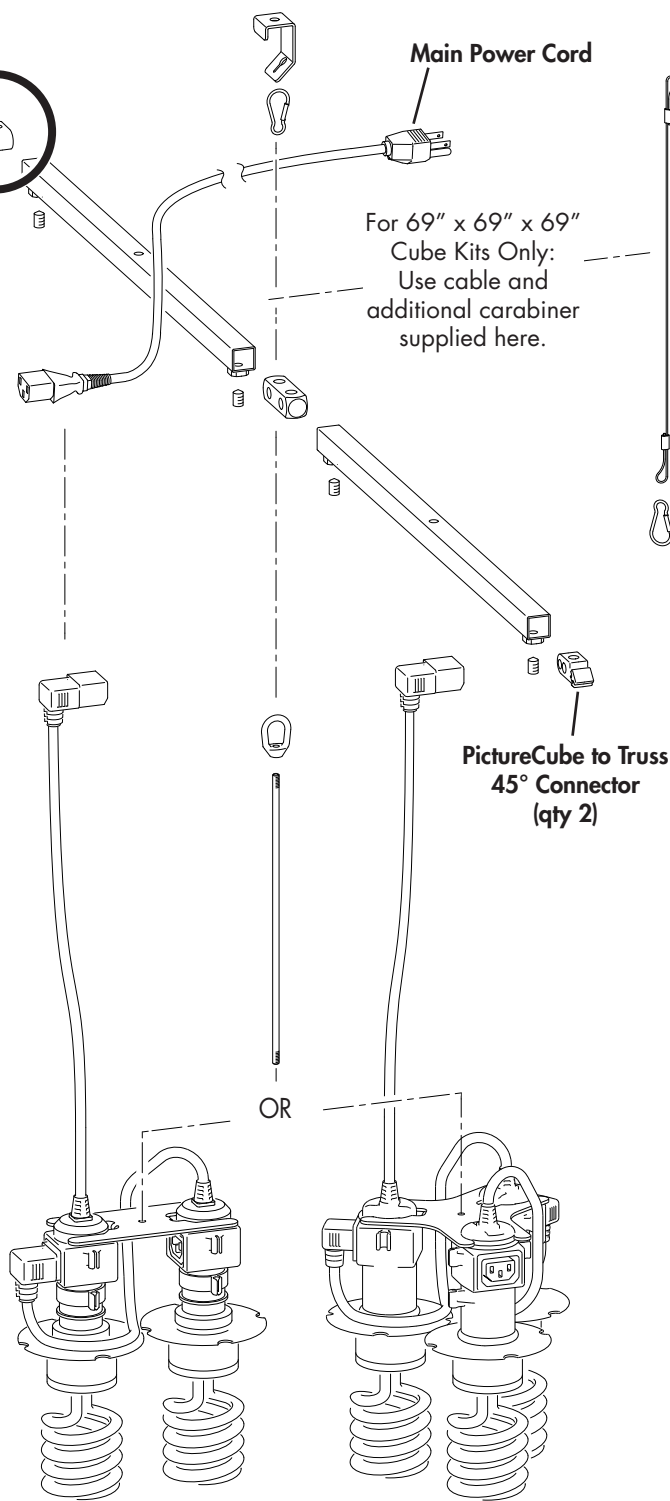
PictureCube to Truss Connector
Installation (inverted view)



Internal Lighting - 2-Light & 3-Light Assemblies for Rectangles & Cubes



PictureCube to Truss Connector Installation (inverted view)



Use with 92" x 92" x 46" Rectangle & 46" x 46" x 46" Cube Kits Only.

Use with 69" x 69" x 69" Cube Kits Only.

Internal Lighting - 2-Light & 3-Light Assemblies for Diamonds

