

# Stratus™ Table System

Table, Workstation, Kiosk

exhibiting solutions



# Unique New Product: Stratus™ Table System

Whether you need a basic table, a highly functional workstation or an eye-catching kiosk, Skyline's Stratus™ Table System can do it all.

Stratus gives you portability, flexibility and style - all at a great value.

#### Save Time, Shipping and Storage

Stratus sets up in minutes without tools. It is lightweight and packs small to save on shipping and storage costs, yet it is very sturdy - supporting up to 100 lbs.

#### Create a Custom Kiosk

The optional accessory pole integrates seamlessly and provides opportunity for more graphics or a flat screen for presentations.

#### Fulfills Multiple Needs

Use Stratus for trade shows, events, retail areas and lobbies.



Stratus has many finishes and colors like fabric, laminates and custom graphics.



Stratus has over 18 cubic feet of storage capacity, an internal shelf that adjusts to two positions and an optional keyboard tray.

## Stratus™ Table Exhibits Big and Packs Small!



Simply unattach and roll the single panel.



Slide shelves together to rest against top.



Fold legs and place in convenient case.





#### 1 Accessory Pole

Allows you to add graphics and accessories. Features integral wire management from top to floor. Available in various positions.

#### 2 Fabric or Stand-off Graphics

Communicate your message in style with hanging fabric graphic or solid profile-cut graphic.

#### 3 Flat Screen Mount

Great for presentations or interactive demonstrations.

#### 4 Literature Holder

Keeps literature organized and accessible.

#### 5 Lead Management System

Stores and protects your valuable leads! Includes built-in lead slot and internal catch bag.

#### 6 Lockable Doors

Optional doors lock to keep leads, equipment or valuables secure during your event.

## Stratus

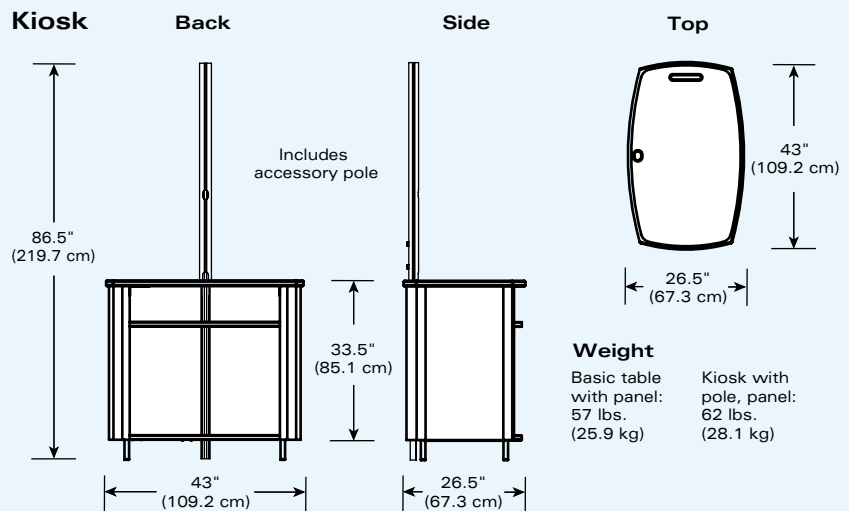
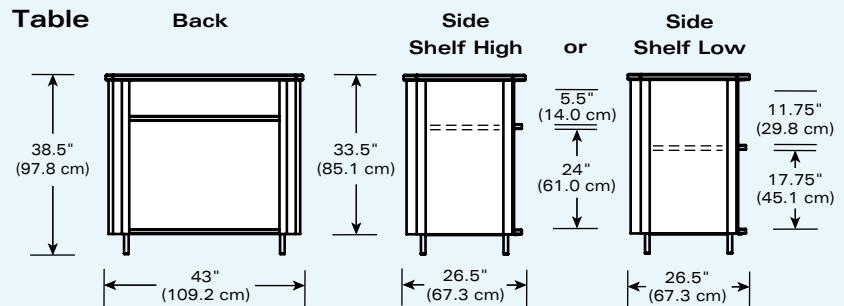
## Specifications



Stratus table with optional casters for easy positioning and custom graphic panel. Casters add 3" (7.6 cm) to total height.

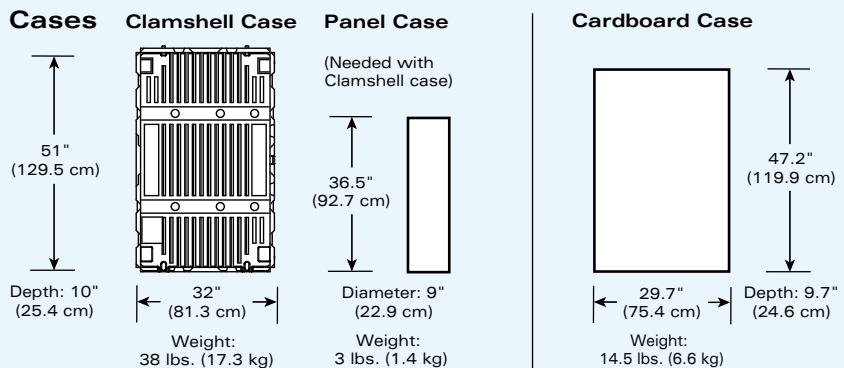


Two accessory poles allow for multiple accessories and a graphic header.



### Weight

Basic table with panel: 57 lbs. (25.9 kg)  
Kiosk with pole, panel: 62 lbs. (28.1 kg)



**Note:** Optional keyboard tray adds 2" (5.1 cm) to table height. Total height: 35.5" (90.2 cm).

Maximum shelf load is 40 lbs. (18.2 kg) per shelf (base, shelf or top). Total weight-bearing capacity is 100 lbs. (45.4 kg).

Patents pending.

**Skyline Displays**  
19 Morgan Street  
FORTITUDE VALLEY QLD 4006

T - +617 3252 4343  
F - +617 3252 4646

[www.skyline.com.au](http://www.skyline.com.au)

ISO 9001 Registered



ISO 9001:2001  
FM69896